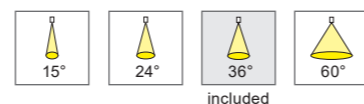


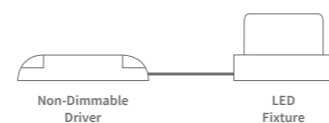
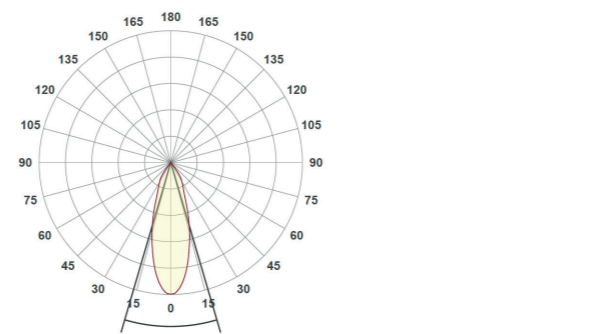
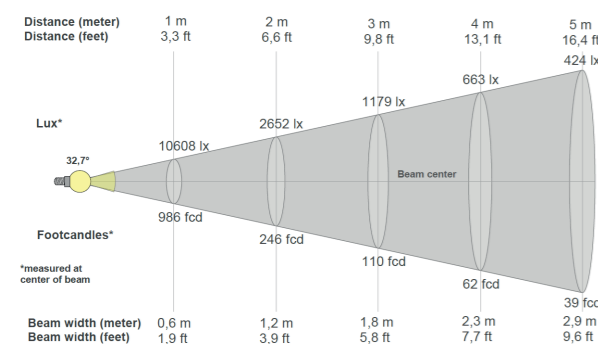
# Lynx Maxi II

Round Turn/Tiltable



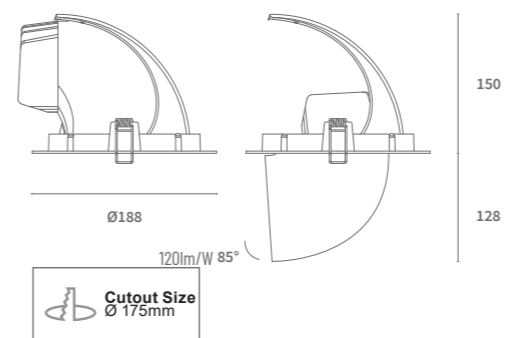
<b>System Power</b>	35W		47W	
<b>CRI</b>	>90Ra			
<b>CCT</b>	3000K	4000K PW	3000K	4000K PW
<b>System Lumen</b>	4200lm	4221lm	5793lm	5443lm
<b>System Efficacy</b>	120lm/W	121lm/W	123lm/W	116lm/W
<b>LOR</b>	Up to 80%			
<b>Driver</b>	Non-dimmable Driver (included)			
<b>SDCM</b>	2			
<b>L+B values (50.000 hr)</b>	L90B10 (50.000h)			

\*More options available! Contact us to customize your fixture down to the finest details.



Article No.	Product Name	Color	CCT	CRI	System Lumen	System Power	System Efficacy	Reflector	Cutout size
2.11.5905	Lynx Maxi	White	3000K	>90Ra	4200lm	35W	120lm/W	36°	Ø 175mm
2.11.6389	Lynx Maxi	Black	4000K PW	>90Ra	4221lm	35W	121lm/W	36°	Ø 175mm
2.11.6405	Lynx Maxi	White	3000K	>90Ra	5793lm	47W	123lm/W	36°	Ø 175mm
2.11.5921	Lynx Maxi	Black	4000K PW	>90Ra	5443lm	47W	116lm/W	36°	Ø 175mm

Also available: CRI >80Ra  
This is a small selection from our portfolio. Please contact us for a suitable solution for your lighting project.



### AVAILABLE BEAM ANGLES

Article No.	Description
5.14.0295	Reflector 15° for Lynx Maxi II
5.14.0296	Reflector 24° for Lynx Maxi II
5.14.0298	Reflector 60° for Lynx Maxi II

### AVAILABLE DRIVERS

Article No.	Description
-----	Dimmable driver